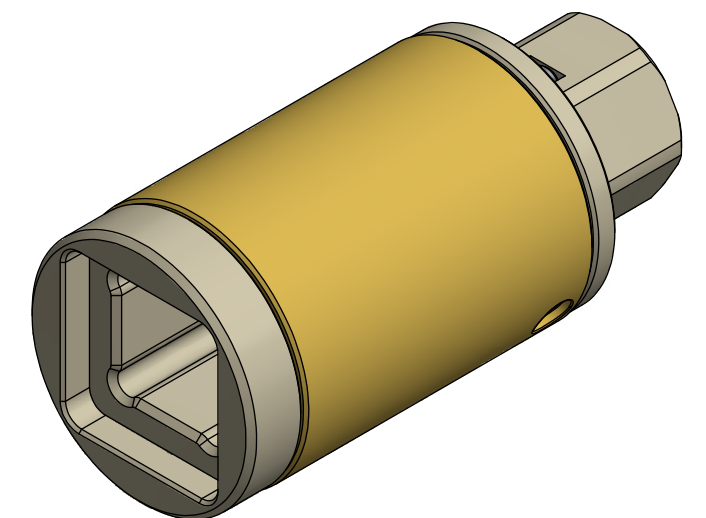
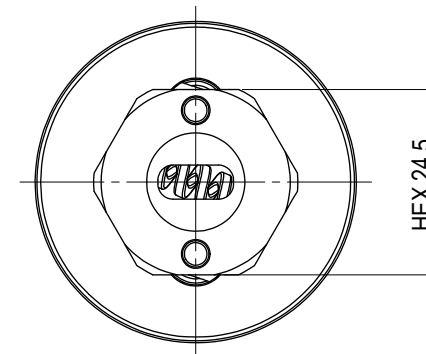
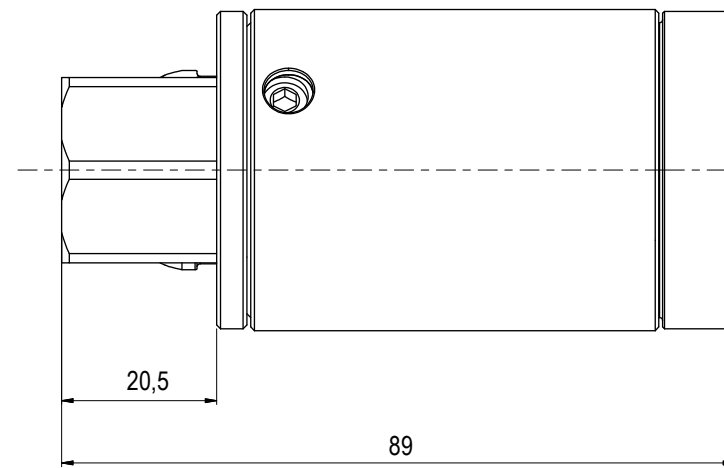
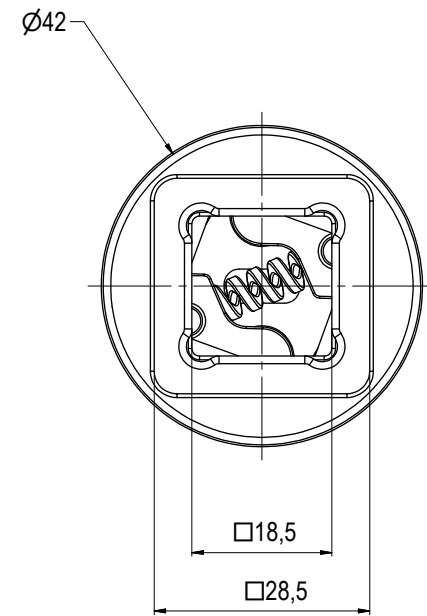


NOTE: 1
 DESIGN CODE:
 N/A

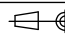
NOTE: 2
 TECHNICAL CLASSIFICATION:
 Article Type: 008-Actuation
 Main Group: 8.01. ISO 1 to 4 Actuation
 Intermediate Group: 8.44.01. Tool
 Sub Group: 8.44.114.02. Intervention

NOTE: 3
 INTERFACE INFORMATION:
 Pressure Rating Bar: 300
 Design Water Depth: 3000m
 Material: N/A
 Weight: 0,3 kg
 Volume: 0,08 dm³
 Submerged Weight: 0,24 kg
 Surface Area: 445 cm²
 Hydraulic: N/A
 Mechanical: Iso Class 1-4 Interface
 Electrical: N/A
 Com. & Protocol: N/A



04	15.5.2024	7-IFC (Issued for Construction)		WTJ	LGH	WTJ
03	22.7.2019	7-IFC (Issued for Construction)		WTJ	KOS	LGH
02	1.7.2019	2-IFT (Issued For Tender)		LGH	N/A	N/A
01	13.2.2019	2-IFT (Issued for Tender)		WTJ	LGH	WTJ
Rev.	Date	Reason for issue	Revision change	Made	Chk'd	Appr.

BLUE LOGIC 

Dwg Scale:
 NTS
 Dwg Proj: 
 Dwg Format:
 A3

Drawing title:
 Class 1 & 2 Adapter

Drawing number:
 BB2962

Rev.
 04